



Pharmacode

Leary's **Pharmacode** reader, in conjunction with a Leary Array™ or MAQ™ controller, will protect against mixed copy, check for the absence and presence of color and measure print-to-cut registration in both the in-line direction and the cross machine direction. The scanner will read expanded Pharmacode at up to 900 m/min with print-to-cut resolution up to +/- 0.1mm (.004 in). The bar sequence and print-to-cut values are master learned with the touch of a button.

The Pharmacode solution is available in three bracket configurations. One option is suitable for applications where space is limited. The second option is specific to a Bobst gluer and the third option is a sword style guide which replaces the pre-break device on the gluer.



www.whleary.com

- Mixed copy detection
- Absence and presence of color
- Expanded (1-2-3) Pharmacode detection up to 900 m/min. True Pharmacode (0-1-2) up to 450 m/min
- Measures print-to-cut, cut length and cross length
- Print-to-cut resolution of up to +/- 0.1mm (.004 in) at 600 m/min
- Bar sequence and print-to-cut values may be learned or manually entered
- Real-time display of scanned Pharmacodes

QUALITY ASSURANCE

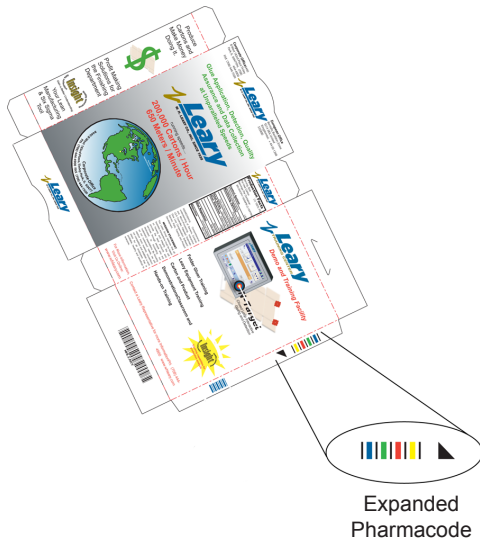
Pharmacode

PHYSICAL CHARACTERISTICS

- Dimensions (Standard style):
107 mm (4.2 in) l
47 mm (1.8 in) w
104 mm (4.1 in) h
- Dimensions (Bobst style):
115 mm (4.5 in) l
80 mm (3.2 in) w
40 mm (1.8 in) h
- Dimensions (Pre-break style):
579 mm (22.8 in) l
172 mm (6.8 in) w
101 mm (4.0 in) h

PHARMACODE SENSOR SPECIFICATIONS

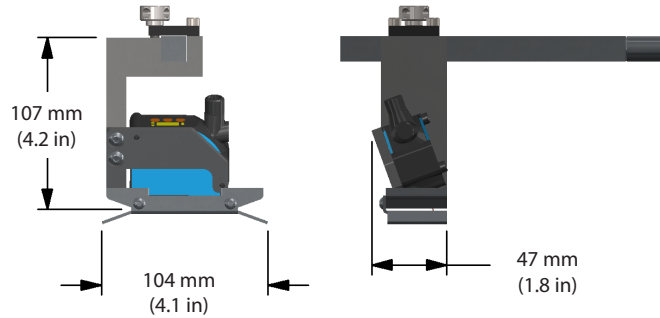
- High speed RGB LED sensor for accurate color detection
- Excellent at detecting pale colors including pale yellow and pale blue
- Background does not have to be white
- Can detect print-to-cut variation in both in-line and cross machine directions
- Reads expanded Pharmacode (1-2-3) and True Pharmacode (0-1-2) *



*For the best results with True Pharmacode, all bars should be printed the same color

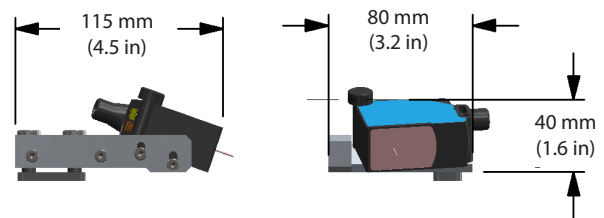
Standard Style

(For use when space is limited)



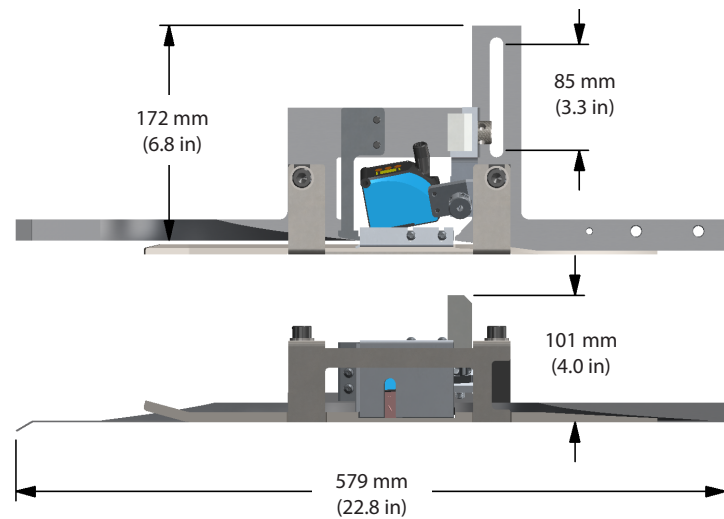
Bobst Style

(Fits to existing Bobst Pre-Break)



Pre-Break Style

(Replaces the pre-break device on your gluer)



Corporate Office
8440 B West 183 Place
Tinley Park, IL 60487
USA
PH: +1(708) 444-4900
sales.us@whleary.com
www.whleary.com

European Office
2 Seax Way, Basildon
Essex SS15 6SW
United Kingdom
tel: +44 (0) 1268 490035
info@whleary.co.uk
www.whleary.co.uk

