

## LearyVIEW™ Print In-Line Complete Carton Print Inspection

LearyVIEW™ Print allows for 100% vision inspection at speeds of 400 m/min (1300 ft/min) and is capable of detecting print quality, missing copy and color quality.

LearyVIEW Print can be used as a regulatory compliance tool and as a way to gain new customers who require a spot or blanket check on the entire printed side of a carton. With optional OCR (optical character recognition) and Delta E color inspection, this technology creates the complete solution for the pharmaceutical, cosmetic, food and other industries where flawless print and registration are required.

LearyVIEW Print is installed in-line, allowing for seamless retrofitting to your existing folder gluer. Achieve impeccable carton quality for your customers and brand owners.

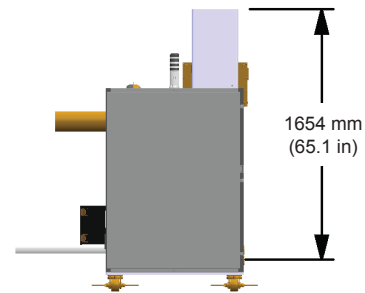
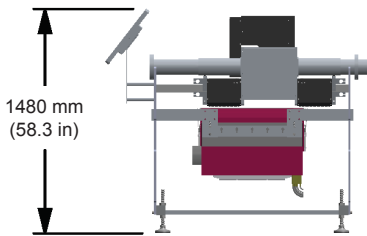
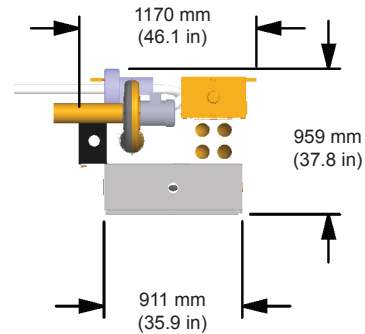
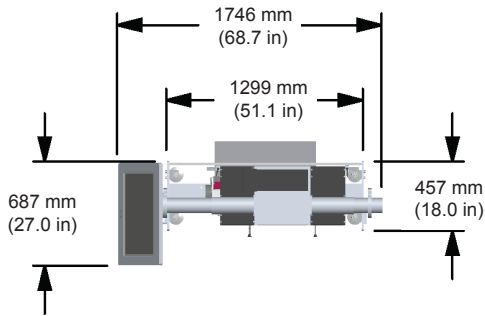
- EyeC inspection software
- 100% inspection for print quality defects up to 400 m/min (1300 ft/min)
- Detects blemishes as small as 0.4 mm (1/64 in)\*
- Simple operator setup
- Remote monitoring capability
- Carton tracking for rejection
- In-line retrofit solution to most existing folder gluers
- Ideal industries include pharmaceutical, cosmetic, and tobacco

\* Based on camera and speed selection

[www.whleary.com](http://www.whleary.com)

QUALITY ASSURANCE

# LearyVIEW™ Print In-line Carton Print Inspection



## SYSTEM SPECIFICATIONS

- Carton Sizes
  - Max Blank Size: 1100 mm (43 in) W & 610 mm (24 in) L
  - Max Inspected Size: 762 mm (30 in) W & 610 mm (24 in) L
  - Min Size: 127 mm (5.0 in) W & 127 mm (5.0 in) L
- Folder gluer paper heights: 785 mm (31 in) to 915 mm (36 in)
- Inspection Speeds
  - Up to 400 m/min (1300 ft/min) for 4K color camera
  - Up to 300 m/min (1000 ft/min) for 8K monochrome camera
  - Up to 160 m/min (525 ft/min) for 8K color camera
- Inspection widths
  - 400 mm (15.75 in) camera head, 0.104 mm (244 dpi) resolution - 0.4 mm minimum defect size
  - 550 mm (21.65 in) camera head, 0.134 mm (189 dpi) resolution - 0.5 mm minimum defect size
  - 760 mm (29.9 in) camera head, 0.185 mm (137 dpi) resolution - 0.6 mm minimum defect size
  - 8K camera option also available
- Includes touch screen mounted to the inspection unit

## POWER REQUIREMENTS

- 480 V 3 Ph at 60 Hz 30 Amps
- Separate AC motor for vacuum fan system
- NEMA 12 cabinet

## MACHINE FEATURES

- Optimal gluer location is after carton aligner section
- "Slide and lock" adjustments mounted on linear rail bearings

## INSPECTION OPTIONS

- Delta E color inspection capability detects color variations within a sector
- PDF comparator
- Variable data (OCR) reading (for 400 mm width or 8K only)
- 1D and 2D barcode reading
- Variable data barcode reading
- Automatic setup from enriched prepress PDF (requires PDF comparator)
- In-line rejection system

## SYSTEM REQUIREMENTS

- Array™ and MAQ™ controllers
- Available pattern input required

**Corporate Office**  
8440 B West 183rd Place  
Tinley Park, IL 60487  
USA  
PH: +1(708) 444-4900  
sales.us@whleary.com  
www.whleary.com

**European Office**  
2 Seax Way, Basildon  
Essex SS15 6SW  
United Kingdom  
tel: +44 (0) 1268 490035  
info@whleary.co.uk  
www.whleary.co.uk

