



LearyVIEW™ Print Mobile Complete Carton Print Inspection

LearyVIEW™ Print allows for 100% vision inspection at speeds of 400 m/min (1300 f/min) and is capable of detecting print quality, missing copy and color quality.

LearyVIEW Print can be used as a regulatory compliance tool and as a way to gain new customers who require a spot or blanket check on the entire printed side of a carton. With optional OCR (optical character recognition) and optimal Delta E color inspection, this technology creates the complete solution for the pharmaceutical, cosmetic, food and other industries where flawless print and registration are required.

The incorporation of LearyVIEW Print with the WSI TaskMaster™ feeder allows for seamless retro-fitting of this capability to your existing folder-gluer, allowing you to achieve impeccable carton quality for your customers and brand owners.

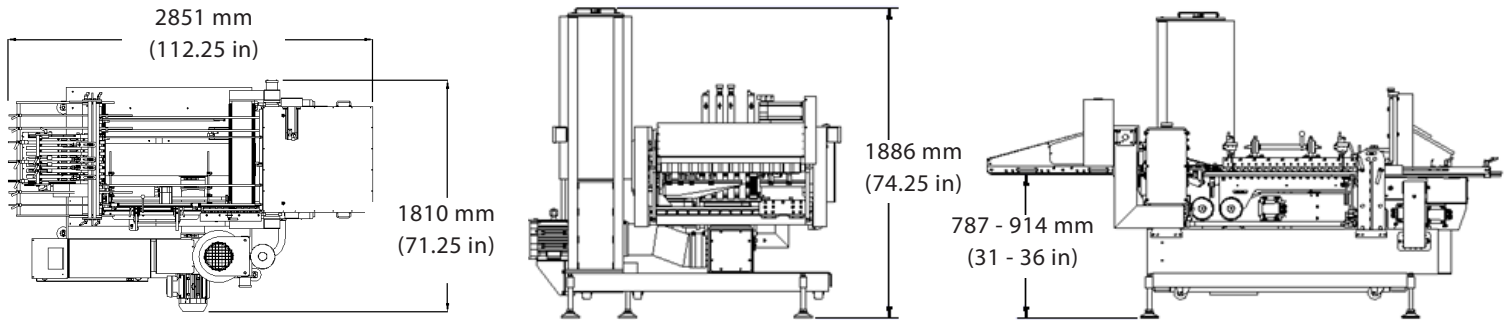
- EyeC inspection software
- 100% inspection for print quality defects up to 400 m/min (1300 ft/min)
- Detects blemishes as small as 0.4 mm (1/64 in)
- Simple operator setup
- Remote monitoring capability
- Versatile carton infeed system
- Feeds & aligns flat cartons going into the folder gluer
- Unique pulse feed technology
- Carton tracking for rejection
- Ideal industries include pharmaceutical, cosmetic, and tobacco

www.whleary.com

QUALITY ASSURANCE

LearyVIEW™ Print

Mobile Carton Print Inspection



SYSTEM SPECIFICATIONS

- Carton Sizes
 - Max: 762 mm (30 in) W & 610 mm (24 in) L
 - Min: 127 mm (5 in) W & 127 mm & (5 in) L
- Vision inspection up to 400 m/min (1300 ft/min)
- Includes touch screen mounted to the inspection unit
- Designed for folder gluer paper heights of 785 mm (31 in) to 915 mm (36 in)

MACHINE DIMENSIONS

- Dimensions:
 - 2851 mm (112.25 in) L
 - 1810 mm (71.25 in) W
 - 1886 mm (74.25 in) H

POWER REQUIREMENTS

- 480 V 3 Ph at 60 Hz 100 Amp
- Servo system utilizes feed, timing pulse, carton aligner and overhead transfer servo motors
- Separate AC motor for vacuum fan system
- NEMA 12 cabinet(s)

MACHINE FEATURES

- "Slide and lock" adjustments mounted on linear rail bearings
- WSI patented Carton Aligner System
- Touch screen operator interface
- Vacuum timed feed system
- Portable for easy movement from line to line

OPTIONS

- In-line Braille emboss station: 305 m/min (1000 ft/min) max.
- Braille inspection
- Hydraulic Braille plate press kit for tooling
- Delta E color inspection capability detects color variations within a sector
- PDF comparator
- Variable data (OCR) reading (for 400 mm width only)
- 1D, 2D barcode reading
- Variable barcode reading
- Defects heatmap
- Automatic setup form enriched prepress PDF (requires PDF comparator)
- Statistic defect evaluation (allows passing of a percentage of defects)
- In-line rejection system

SYSTEM REQUIREMENTS

- Array™ and MAQ™ controllers
- Available pattern input required

Corporate Office
8440 B West 183rd Place
Tinley Park, IL 60487
USA
PH: +1(708) 444-4900
sales.us@whleary.com
www.whleary.com

European Office
2 Seax Way, Basildon
Essex SS15 6SW
United Kingdom
tel: +44 (0) 1268 490035
info@whleary.co.uk
www.whleary.co.uk

