



Shown with model BC9x code reader

Laser 1D Code Reader

The Laser 1D Code Reader works in conjunction with Leary Array™ and MAQ™ controllers to provide accurate verification of all standard ANSI barcodes, including Code 39, Codabar, Code 128, I 2 of 5, Code 93 and UPC/EAN.

The barcode reader accurately scans for Good Read, No Read, Match, and No Match conditions. Each barcode scan is visually verified on the scanner. This is also a valuable setup tool for validating optimal scanner alignment.

The Laser 1D Code Reader reads every code several times guaranteeing accurate detection.

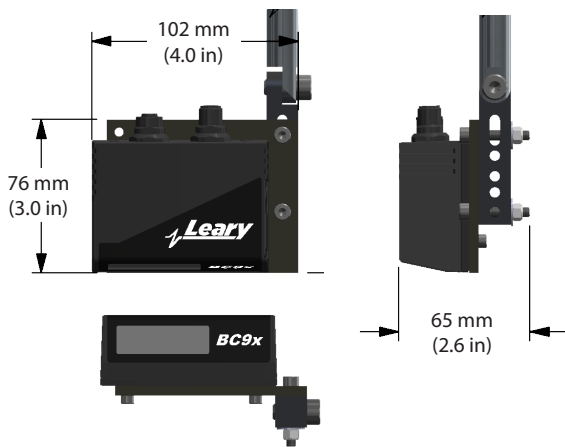
- Mixed copy detection
- BC9x model reads up to 1,400 scans per second with single line and raster model
- BC3 model reads up to 1,000 scans per second with raster model only
- Ideal for high speed applications
- Provides multiple scans per code
- Easy alignment
- Visual status verification
- Read values displayed in Monet™

www.whleary.com

QUALITY ASSURANCE

Laser 1D Code Reader

MODEL: BC9x



PHYSICAL CHARACTERISTICS

- Weight: 213 grams (7.5 oz)

BARCODE SCANNING

- Reads all standard linear barcodes
- Reads Code 39, EAN-13, UPC, I 2 of 5 and others
- Scans per second: up to 1400
- Available in single line and raster model

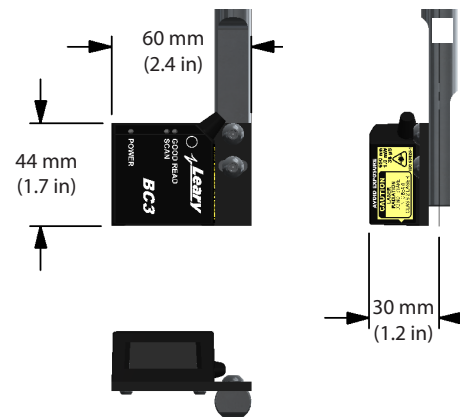
SCANNER DISTANCES

- Read range: 64 - 279 mm (2.5 - 11 in)
- Bar Width / Focal Distance Range
 - .190 mm (.0075 in) / 64 - 140 mm (2.5 - 5.5 in)
 - .254 mm (.010 in) / 38 - 178 mm (1.5 - 7.0 in)
 - .381 mm (.015 in) / 38 - 216 mm (1.5 - 8.5 in)
 - .508 mm (.020 in) / 38 - 279 mm (1.5 - 11.0 in)

COMPATIBLE CONTROLLERS

- MaQ+, Array LS-4, LS-916, LS-924

MODEL: BC3



PHYSICAL CHARACTERISTICS

- Weight: 57 grams (2 oz)

BARCODE SCANNING

- Reads all standard linear barcodes
- Reads Code 39, EAN-13, UPC, I 2 of 5 and others
- Scans per second: up to 1000
- Available in raster model only

SCANNER DISTANCES

- Read range: 76 - 254 mm (3 - 10 in)
- Bar Width / Focal Distance Range
 - .190 mm (.0075 in) / 76 - 152 mm (3.0 - 6.0 in)
 - .254 mm (.0100 in) / 51 - 178 mm (2.0 - 7.0 in)
 - .381 mm (.0150 in) / 51 - 203 mm (2.0 - 8.0 in)
 - .508 mm (.0200 in) / 51 - 254 mm (2.0 - 10.0 in)

COMPATIBLE CONTROLLERS

- MAQ+

BC9X SCANNER OPTION vs. CODE SIZE



Code Direction: Picket Fence		
Code Size	BC9X Raster	BC9X Single line
25 mm (1 in)	400 m/min (1,312 ft / min)	400 m/min (1,312 ft / min)
38 mm (1.5 in)	600 m / min (1,968 ft / min)	600 m/min (1,968 ft/min)

Code Direction: Ladder Barcode		
Code Size	BC9X Raster	BC9X Single line
10 mm (.375 in)	50 m/min (164 ft/min)	150 m/min (492 ft/min)
13 mm (.5 in)	100 m/min (328 ft/min)	210 m/min (688 ft/min)
19 mm (.75 in)	150 m/min (492 ft/min)	325 m/min (1,066 ft/min)
25 mm (1 in)	300 m/min (984 ft/min)	425 m/min (1,394 ft/min)
38 mm (1.5 in)	450 m/min (1476 ft/min)	600 m/min (1,968 ft/min)

* BC3 reader is for use on die cutter applications when code is not moving.

Corporate Office
 8440 B West 183 Place
 Tinley Park, IL 60487
 USA
 PH: +1(708) 444-4900
 sales.us@whleary.com
 www.whleary.com

European Office
 2 Seax Way, Basildon
 Essex SS15 6SW
 United Kingdom
 tel: +44 (0) 1268 490035
 info@whleary.co.uk
 www.whleary.co.uk

