



iCheck™ Camera

Leary's iCheck smart camera comes with a flexible tool library offering a wide range of inspection options. Simple programming features allow operators to quickly setup inspection of labels, inserts, text, date codes, flaps and more.

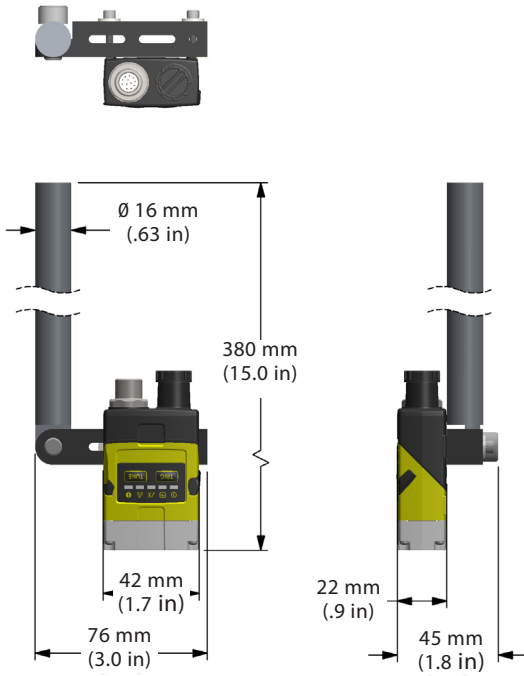
iCheck can be integrated with most existing Leary systems to allow for quality inspection and rejection. The 7-inch touch screen is designed to be a flexible interface that allows the camera to be used in a variety of applications.

- Inspects labels, inserts, text, date codes, flaps, and more
- Equipped with pattern recognition
- Simple programming features reduce operator setup time
- Integration with most existing Leary Array™ systems
- Flexible to use for a variety of quality assurance needs

www.whleary.com

QUALITY ASSURANCE

iCheck™ Camera



CAMERA DIMENSIONS

- 42 mm (1.7 in) l
- 22 mm (.9 in) w
- 92 mm (3.6 in) h

POWER REQUIREMENTS

- Class 3 PoE 5W

COMPLETE STATION INCLUDES

- Camera
- 7-inch touch screen (option) *
- Mounting hardware
- Cables
- Trigger

SYSTEM REQUIREMENTS

- Leary Array™ controller
- Ethernet port on the controller
- (1) Available detection pattern input
- (1) Available valve output
- 8120 controller processor

*A Windows Computer is required machine-side for initial setup and changing inspection parameters / settings. The optional i-Check display can be configured to run without the computer after the job is configured during initial setup. If additional inspection needs are required after initial setup, it will be the customer's responsibility to have a Windows laptop available to adjust or change the inspection tools as needed.

Corporate Office
8440 B West 183 Place
Tinley Park, IL 60487
USA
PH: +1(708) 444-4900
sales.us@whleary.com
www.whleary.com

European Office
2 Seax Way, Basildon
Essex SS15 6SW
United Kingdom
tel: +44 (0) 1268 490035
info@whleary.co.uk
www.whleary.co.uk

