

HIGH PRESSURE CXU 110 PUMP WITH GRU

The **High Pressure glue feed system** utilizes advanced glue feed technology via communication between the GRU, pump and controller for real time control of glue pressure. Pressure requirements are programmed and maintained through the Monet™ operating system, keeping the glue volume consistent throughout the entire speed range.

This glue feed system is used in high speed applications with multiple valve outputs and allows for a high glue viscosity range. Maintenance is kept to a minimum with a unique easy to clean filter design and high performance seals.

Used with Leary controllers and glue valves, the glue feed system eliminates glue line puddling, glue line variation, glue pattern drifting and glue sheering, creating a consistent glue line pattern.

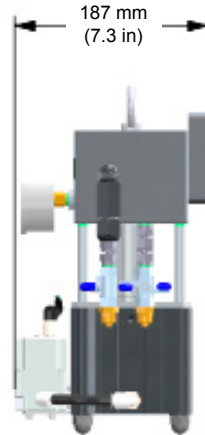
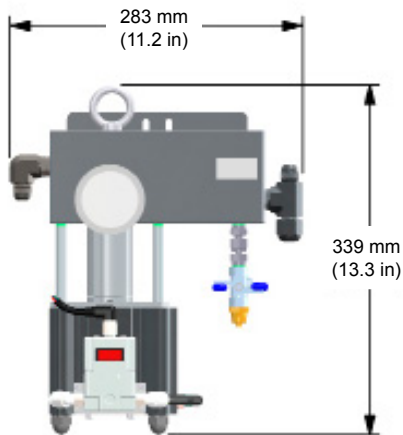
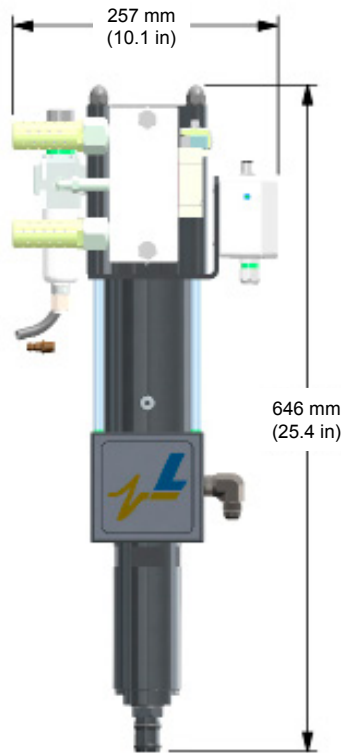
- Model CXPP 110 high pressure 9:1 pump
- Optional transducer to feed back actual pressure to the controller (Model 61A GRU)
- Easy to clean filter
- Low maintenance with high-performance sealing kits
- Long-lasting all stainless steel parts
- Glue viscosity range: 0.5 - 12.5 Pa·s (500 - 12,500 cps) *
- Up to two additional 8-valve glue manifolds with feed hose
- Stainless steel manifold option for a 100% stainless steel feed system

*The viscosity range quoted relates to this product only. For viscosity ranges for the complete system, please also check the relevant glue valve data.

www.whleary.com

GLUE FEED

High Pressure Pump with GRU



PHYSICAL CHARACTERISTICS

Pump

- Dimensions:
 - 257mm (10.1 in) w
 - 646 mm (25.4 in) h
 - 178 mm (7.0 in) d
- Weight: 38 kg (83.8 lbs) (with GRU)

GRU

- Dimensions:
 - 283 mm (11.2 in) w
 - 339 mm (13.3 in) h
 - 187 mm (7.3 in) d
- Weight: 38 kg (83.8 lbs) (with pump)

OTHER SPECIFICATIONS

- Regulated fluid pressure range: 1 - 30 bar (14.5 - 435 psi)
- Glue viscosity range: 0.5 - 12.5 Pa-s (500 - 12,500 cps) *
- Glue feed rate: max. 110 kg/hr (242 lbs/hr)
- Compressed air supply: 5 - 6 bar (72.5 - 87 psi)
- Monet Software Requirements
 - A-model: version 2.9
 - B-model: version 2.8 with current update

INCLUDED COMPONENTS

- Model CXPP 110 cold glue piston pump
- Model 61B glue regulation unit
- Glue siphon tube and glue supply hose
- One 8-valve glue manifold with feed hose
- Installation kit
- Glycerin and glue valve nozzle cleaning kit

UPGRADE OPTIONS

- GRU upgrade to Model 61A (with transducer)
- Up to two additional 8-valve glue manifolds with feed hose
- Stainless steel manifold (100% stainless steel feed system)
- Manifold mounting clamps
- 30 L (7 gal) bucket
- Low level detection for 30 L (7 gal) bucket

Corporate Office
8440 B West 183 Place
Tinley Park, IL 60487
USA
PH: +1(708) 444-4900
sales.us@whleary.com
www.whleary.com

European Office
2 Seax Way, Basildon
Essex SS15 6SW
United Kingdom
tel: +44 (0) 1268 490035
info@whleary.co.uk
www.whleary.co.uk

